

ProTwin Head

User's Guide

Guide de l'utilisateur

Benutzerhandbuch

Manuale Utente

Manual del usuario

Gebruikershandleiding

用户说明书

Användarhandbok

Brukerhåndbok

Brugerhåndbog

Käyttöopas



Thank you for choosing Profoto. Follow the instructions in this booklet to use your new product.

Thanks for showing us your confidence by investing in an ProHead. For more than three decades we have sought the perfect light. What pushes us is the conviction that we can offer even the most demanding photographer yet better tools.

Before our products are shipped we have them pass an extensive and strict testing program. We check that they pass the quality and capacity levels the most demanding photographers require. For this reason our flash equipment is the standard in most rental studios in New York and Tokyo and the most rented flash all over the world.

Quality of Light

The Profoto system consists of different generators built and designed to meet the needs of the most demanding photographers. Yet the most important thing is the light you create, and it is essential that the system you use offers the freedom to do that. The light source, both the flash tube and the modeling light, is placed high and free in the flash head. This makes it easier for you to adjust the light and use your creativity. Most reflectors can be moved forward or backward in relation to the optical centre of the light source, effectively narrowing or widening the spread of the light and changing the intensity and fall-off characteristics as well. Every single reflector and accessory creates its special light and the unique Profoto focusing system offers you the possibility to create your own light with only a few different reflectors.

Enjoy your Profoto product!

**SAFETY PRECAUTIONS!**

Read and follow all safety instructions below carefully to avoid injuries or damages!

Make sure that this user guide always accompanies equipment!

Profoto products are intended for professional use!

Generator, lamp heads and other parts are only intended for indoor photographic use.

Do not place or use the equipment where it can be exposed to moisture, for instance through condensation, extreme electromagnetic fields or in areas with flammable gases or dust!

Do not expose the equipment to dripping or splashing

Do not place objects filled with liquids on the equipment.

Do not store the generator close or below the freezing point, which can lead to loss of capacity and risk of condensation when used in a warmer surrounding immediately.

Do not connect accessories from other brands!

Equipment must only be serviced or repaired by authorised and competent service personnel!

Changes or modifications not expressly approved by the party responsible for compliance Profoto could void the user's authority to operate the equipment.

**WARNING – Electrical Shock Hazard – High Voltage!**

Connect generator to grounded mains outlet!

Only use Profoto extension cables!

Do not open or disassemble generator or lamp head! Equipment operates with high voltage.

Generator capacitors will be electrically charged for a considerable time after being turned off.

Do not touch modeling lamp or flash tube when mounting umbrella metal shaft in its reflector hole, risk of contact with live electrical socket!

Disconnect lamp cable between generator and lamp when changing modeling lamp or flash tube!

**CAUTION – Burn Hazard – Hot Parts!**

Do not touch hot parts with bare fingers! Modeling lamps, flash tubes and certain metal parts emit strong heat when used!

Do not point modeling lamps or flash tubes too close to persons. Light components may on rare occasions explode and throw out hot particles!

Make sure that rated voltage for modeling lamp corresponds with technical data of user guide regarding power supply!

NOTICE – Equipment Overheating Risk

Remove transport cap from lamp head before use!

Do not obstruct ventilation by placing filters, diffusing materials, etc. directly over glass cover modeling lamp or flash tube!

**FINAL DISPOSAL**

Equipment contains electrical and electronic components that are harmful to the environment.

Equipment may be returned to Profoto distributors free of charge for recycling according to WEEE.

Follow local legal requirements for separate disposal of waste, for instance WEEE directive for electrical and electronic equipment on the European market, when product life has ended!

Table of Contents

Brief Instructions	6
Mounting Reflector	6
Connecting Lamp Head	7
Changing Fuse.....	7
Changing Glass Cover	7
Changing Modeling Lamp	8
Changing Flash Tube.....	8
Color Control and Consistency.....	8
Compatibility.....	8
Warranty.....	9
Accessories	9
Technical Data.....	10

Brief Instructions

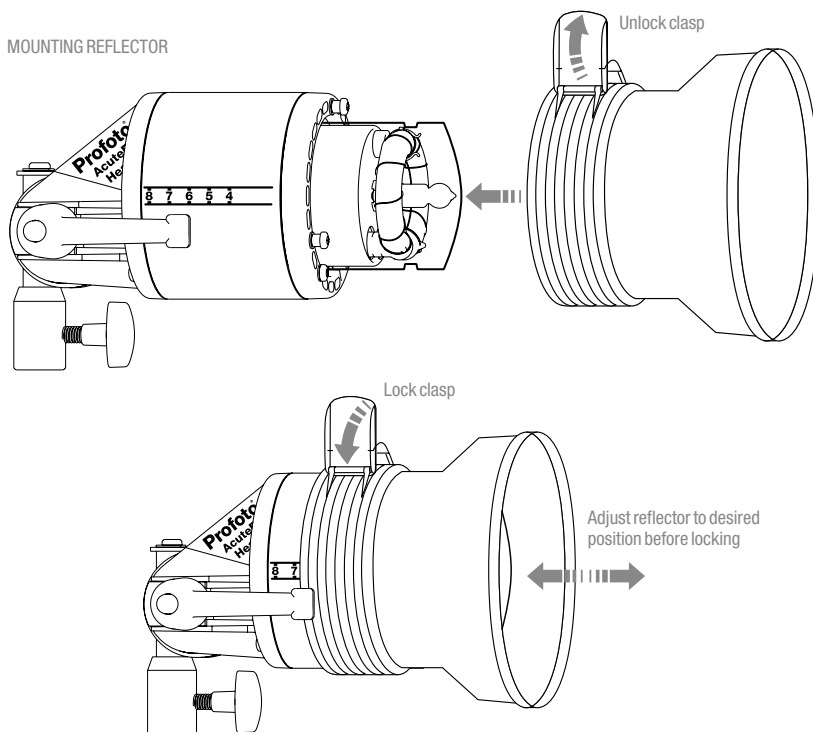
- Remove protecting cap.
- Connect the ProTwin Head to the generator lamp head socket.
- Switch the MODEL switch to EXT or BAT.

Mounting Reflector

The unique rubber collar fastening system provides secure and rapid handling and allows the reflectors to fit all of the Profoto flashes, HMI's and Tungsten heads. The rubber collar allows the reflectors to be handled when hot.

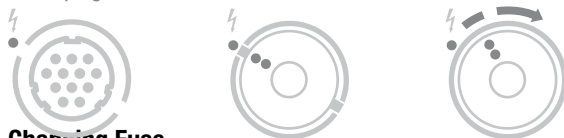
- Unlock the clasp.
- Slide the reflector into desired position.
- Secure the reflector by locking the clasp.

MOUNTING REFLECTOR



Connecting Lamp Head

When connecting the lamp head plug to the lamp head socket, align the dots on the plug with the white dot on the generator panel. Push the plug all the way in. Secure by turning the locking ring on the plug clockwise.



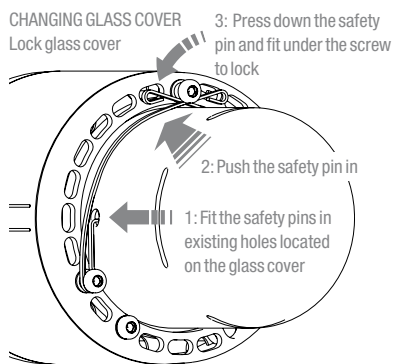
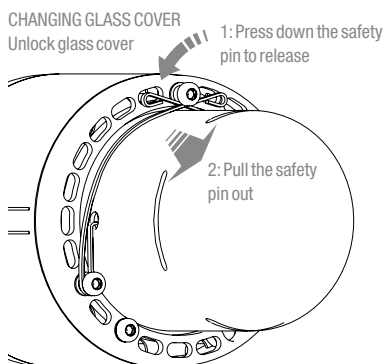
Changing Fuse

The fuse is placed at the back of the head. Unscrew the fuse holder counterclockwise. Pull the fuse out. Use fuses that are recommended, for more details please read “Technical Data”. Push the new fuse all the way in. To lock the fuse holder after the fuse is changed, screw the fuse holder clockwise.



Changing Glass Cover

When removing the glass cover, unlock the two safety pins by pressing down and pulling, one by one. Remove the glass cover. To lock the glass cover when the glass cover or lamps are changed, fit the glass cover carefully and make sure the safety pins fit properly in the existing holes on each side of the glass cover. Secure the glass cover to lock by pressing the safety pins down and then pushing them one by one under the top screw.



Do not touch hot parts with bare fingers! Modeling lamps, flash tubes and certain metal parts emit strong heat when used!

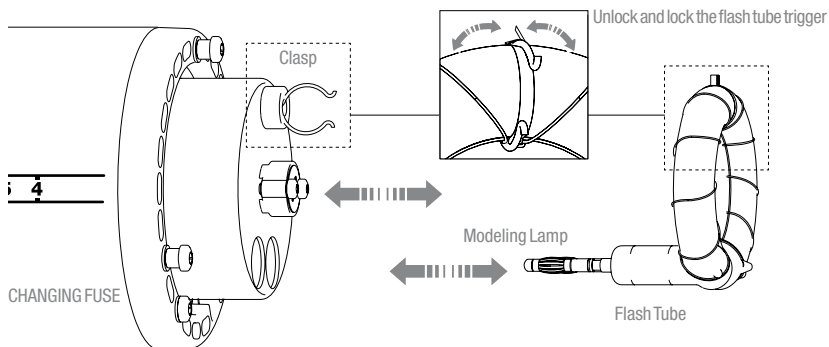
When changing modeling lamp, flash tube, fuse or glass cover the lamp cable must be disconnected from the generator.



Changing Modeling Lamp

When removing a modeling lamp, pull the modeling lamp straight out of the socket. When inserting a new modeling lamp, insert it straight into the socket. Do not touch lamp with bare hands.

CHANGING MODELING LAMP AND FLASH TUBE



Changing Flash Tube

When removing a flash tube, remove the glass cover, unlock the flash tube trigger by unfolding the stainless steel ribbons around the clasp, grasp the flash tube in the bottom and pull it straight out of the sockets. When inserting a new flash tube, check that the trigger clasp fit properly around the flash tube trigger connection. Lock the flash tube trigger by folding the stainless steel ribbons around the clasp.

Color Control and Consistency

The flash tube is made of high quality color stable hard glass making it suitable for demanding digital and analog photography with a high level of f-stop and color stability from flash to flash. In order to change the color temperature of the the head, Profoto offer a range of different coated glass covers.

Glass Covers

- Clear, uncoated, +300 °K cooling
- Frosted, uncoated, +300 °K cooling
- Clear, UV-coated
- Frosted, UV-coated (standard)
- Frosted, extra UV-coated, -300 °K warming

Compatibility

The ProHead can be used with Pro generator only.

Warranty

All Profoto generators and heads are individually tested before they leave the company and guaranteed for a period of two years with the exception of flash tubes, glass covers, modeling lamps and cables. Profoto is not responsible for technical malfunctions created by improper use or accessories made by other companies. If you have any technical problems please get in contact with an authorized Profoto AcuteB service station.

Accessories

Please consult with your local dealer or distributor for specific information.

Technical Data

Specifications	
Flash Capacity:	9– 600 Ws.
	12V 65 W high efficient halogen equivalent to approximately 90 W standard halogen
	Hard Glass, max 600 J
	No reflector 16 Disc 22.4 Magnum Reflector, 50° ... 64.2 Zoom Reflector 32.5 White Umbrella 16.5
	Frosted UV-coated
Cable Length:	3 m
Fuse:	6.3AF
Measurements	
Diameter:	10 cm (4")
Size:	22 cm depth (8.5")
Weight:	1.55 kg (3.4 lbs)

Declaration of Conformity

We, Profoto AB of

PO Box 2023

SE-128 21 Skarpnäck, Sweden

hereby declare that the following product Profoto ProRing 2 to which this declaration relates is in conformity with the appropriate standards IEC 60598-2-9/17 and IEC 60065, following the provisions of, EMC Directive 89/336/EEC, and Low Voltage Directive 73/23/EEC.

Stockholm, September 2006

Anders Hedebark

Managing Director of Profoto AB

Profoto AB
P.O. Box 2023
SE-128 21 Skarpnäck
SWEDEN

Phone +46 8 447 53 00
info@profoto.com
www.profoto.com

 **Profoto**
The Light Shaping Company

